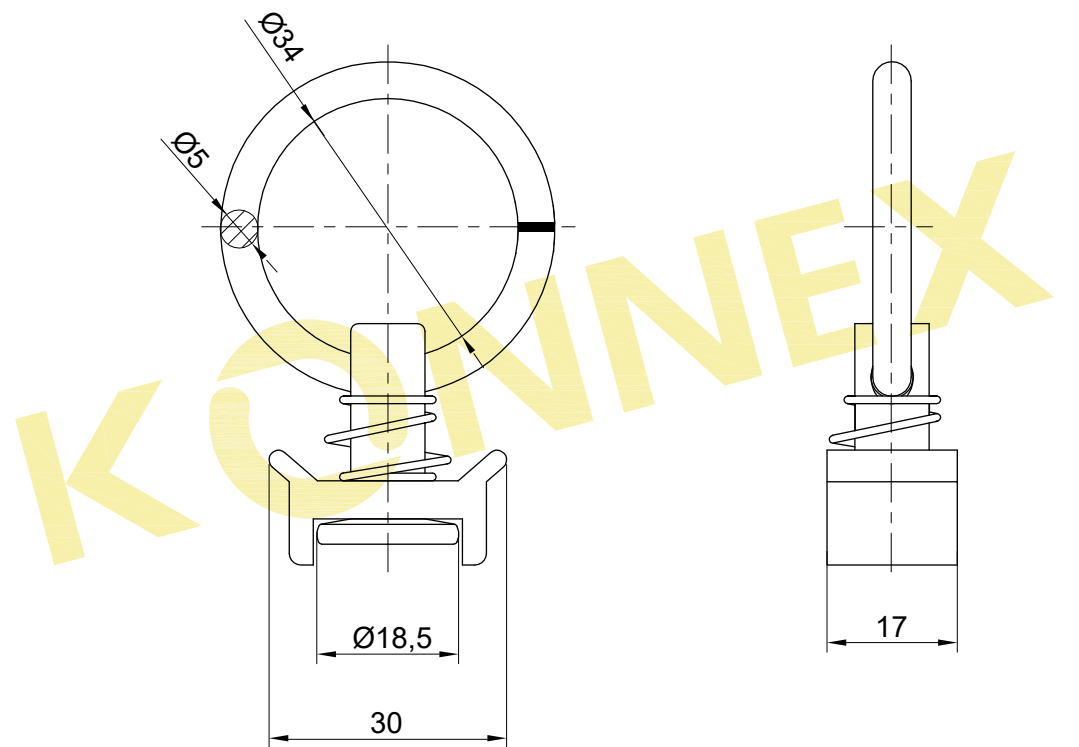


Stamping:

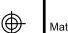
Logo LC 9 kN SC/M/YY

1. "Logo" 
2. "LC" load capacity
3. "SC" Supplier code
4. "M" Month code
 - A - January
 - B - February
 - C - March
 - D - April
 - E - May
 - F - June
 - G - July
 - H - August
 - I - September
 - K - October
 - L - November
 - M - December
5. "YY" Year code



Technical requirements:

1. Breaking strength (BS): 18 kN
2. No cracking pitting rust spot and scratch
3. Tested according: EN ISO 9227 NSS
4. Tested according: DIN EN 12195-2

Product Code: 72ZQ002		Surface Requirement: Zinc plating		Tolerance: ---		Projection: 		Scale: ---		Weight: ---g		
								Material: Aluminum, St. steel				
				Date	Name	Part Name: Airline Beschlag 18kN Stud fitting 18kN						
				2015.04.08	QWZ							
						KONNEX		Drawing No: 72ZQ002		Page	Rev	Format
								1		A4		
ECN	No	Content of Change	Date	Name	Original Drawing: ---	Replaces: ---			Replaced by: ---			