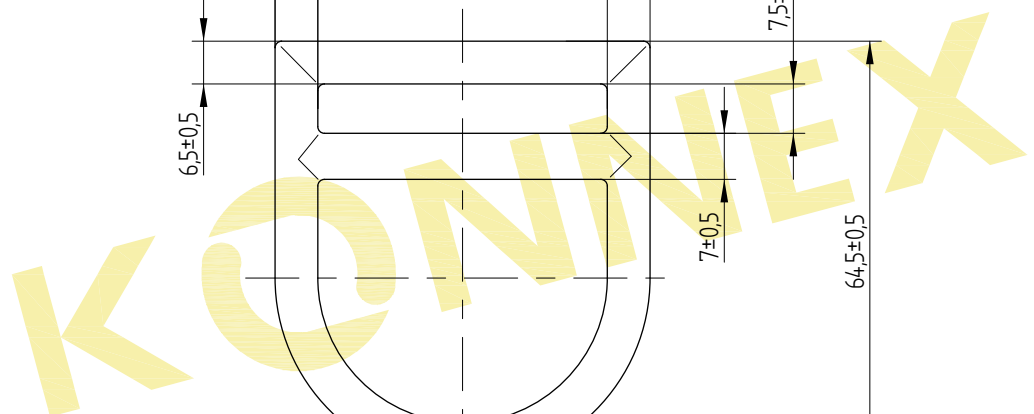
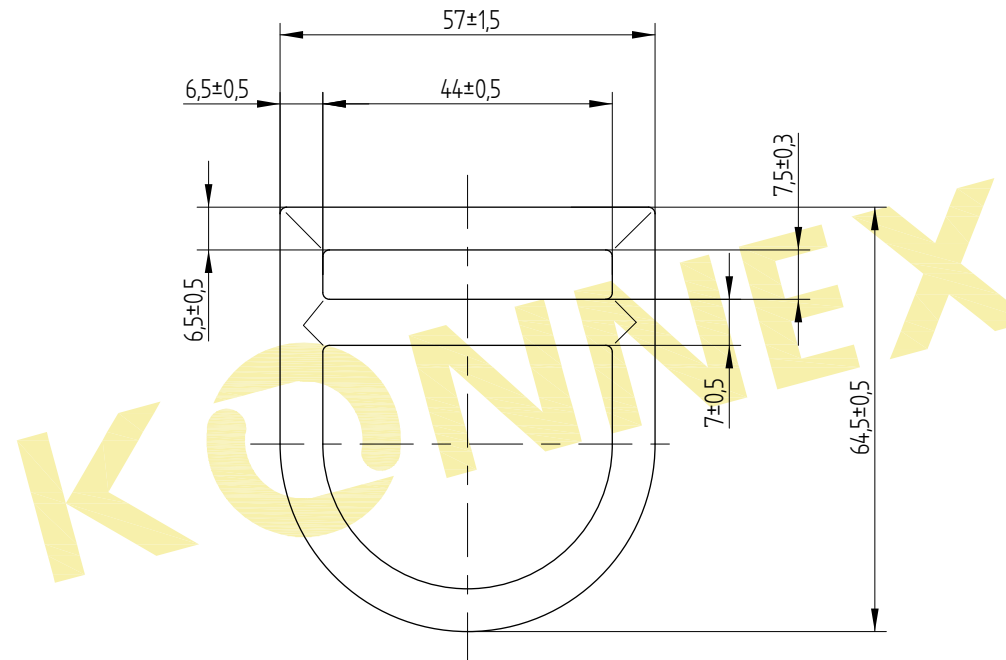


Stamping:

Logo LC 1,1kN SC/M/YY

1. "Logo" ○
2. "LC" load capacity
3. "SC" Supplier code
4. "M" Month code
 - A - January
 - B - February
 - C - March
 - D - April
 - E - May
 - F - June
 - G - July
 - H - August
 - I - September
 - K - October
 - L - November
 - M - December
5. "YY" Year code



Technical requirements:

1. Breaking strength (BS): 2,2 kN
2. No cracking pitting rust spot and scratch
3. Tested according: EN ISO 9227 NSS
4. Tested according: DIN EN 12195-2

| | | | | | | | | | | | | |
|---------------------------------|-----|----------------------|-------------------|----------------------------------------------------------------|-------------------------------|-------------------------------------------------------------------------------------------------------------------------------|------|-----|--------|---|--|----|
| Product Code: 72GX000 | | Surface Requirement: | Tolerance: --- | Projection: | Scale: --- | Weight: 72 gr. | | | | | | |
| | | | | | Material: St.Steel | | | | | | | |
| | | Date | Name | Part Name: | | | | | | | | |
| | | 2015.04.08 | QWZ | D-Schnalle 45mm - 2,2kN D-Buckle 45mm - 2,2kN | | | | | | | | |
| | | | | | | | | | | | | |
| | | | | | | | | | | | | |
| | | | | KONNEX | Drawing No: 72GX000 | | | | | | | |
| ECN | No | Content of Change | Date | Name | Original Drawing : --- | Replaces: --- | | | | | | |
| | | | | | | Replaced by: --- | | | | | | |
| | | | | | | <table border="1"> <tr> <td>Page</td> <td>Rev</td> <td>Format</td> </tr> <tr> <td>1</td> <td></td> <td>A4</td> </tr> </table> | Page | Rev | Format | 1 | | A4 |
| Page | Rev | Format | | | | | | | | | | |
| 1 | | A4 | | | | | | | | | | |