



J-Hook 72CQ301

KONNEX

Magnetic effect

J-Hook 50mm-50kN with integrated magnet

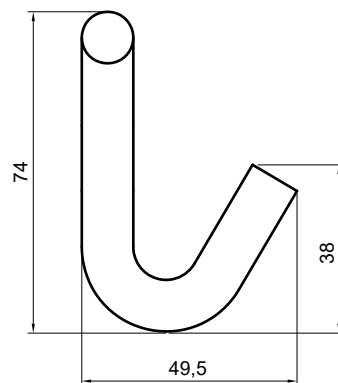
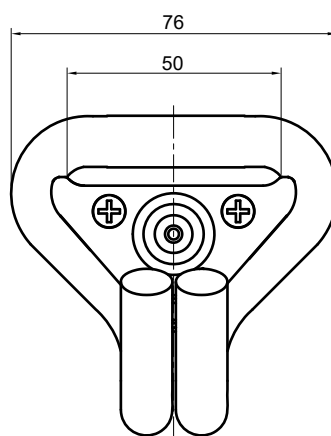


Quite mag(net)ic!

Simplified lashing of the load: after hooking, the J-Hook remains in the place intended for it.

place. There is no decoupling and the load securing process is not interrupted until the load is finally secured. The integrated magnet prevents the pointed J-Hook from coming loose from the anchoring eyelet on the floor of the loading area.

Webbing width	:	50 mm
Material	:	Hochfester Stahl
Finishing	:	blau verzinkt - KOsil
Tested according	:	DIN EN 12195-2
Breaking Strength (BS)	:	50 kN (5.000 daN)
Lashing Capacity (LC)	:	25 kN (2.500 daN)
Magnethaltekraft	:	ca. 2.000 gr.
Weight / pc	:	0,275 kg
Box	:	80 pcs (18,4 kg)



KONNEX B.V.
Gezellenstraat 7
NL - 3861 RD Nijkerk
+31 33 2464128
info@konnexgroup.nl

KONNEX GmbH
Friedrichstraße 295
D - 42551 Velbert
+49 2051 20738-0
info@konnexgroup.de