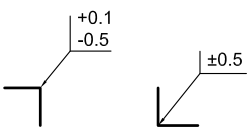
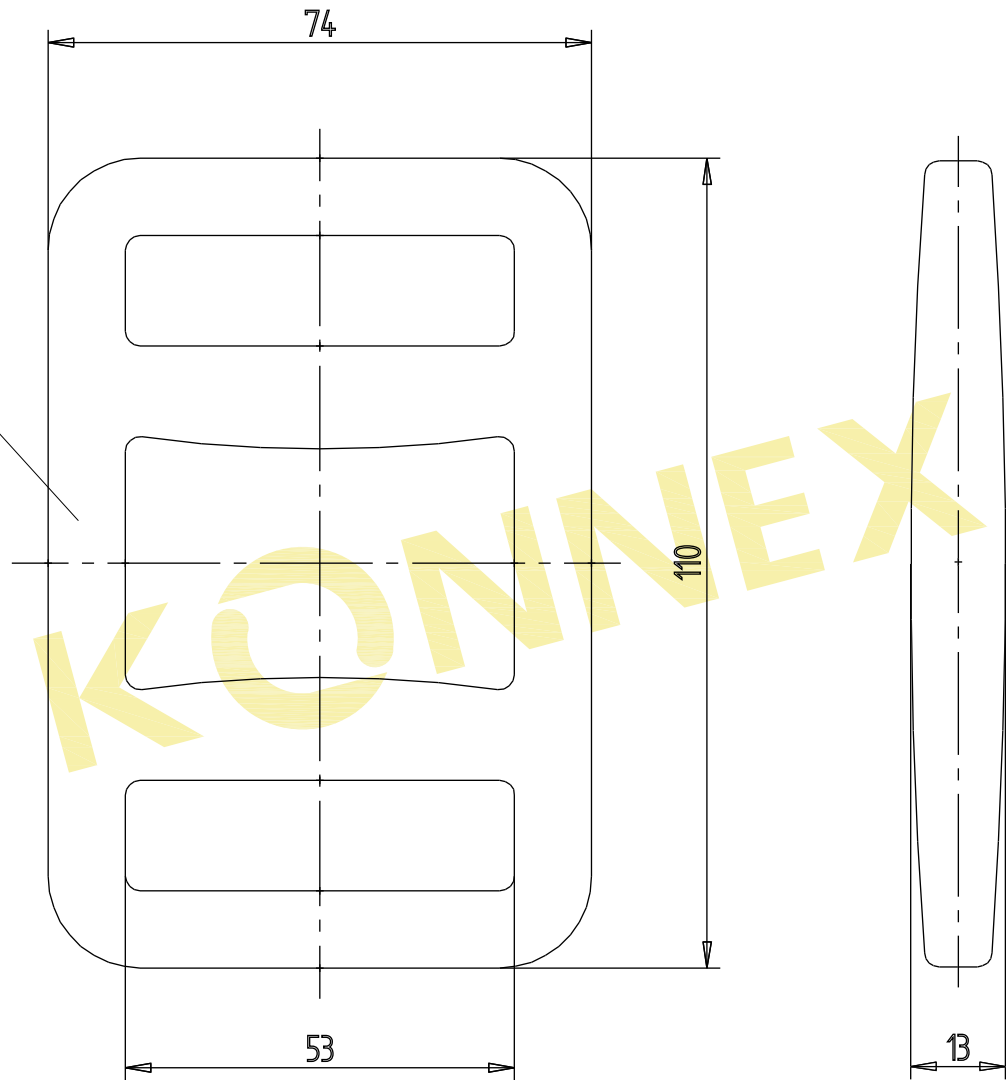


Stamping:

Logo LC 50kN SC/M/YY

1. "Logo" ○
2. "LC" load capacity
3. "SC" Supplier code
4. "M" Month code
 - A - January
 - B - February
 - C - March
 - D - April
 - E - May
 - F - June
 - G - July
 - H - August
 - I - September
 - K - October
 - L - November
 - M - December
5. "YY" Year code

Stamping



产品编号: Product Code: 72CQ046		表面要求: Surface Requirement: Zinc plating	公差等级: Tolerance: ---	视图: Projection: 	比例: Scale: ---	重量: Weight: ---g
		日期 / Date 2015.04.08	姓名 / Name QWZ	产品名称: Part Name: Doppelschnalle 50mm - 100kN Buckle 50mm - 100kN		
		制作 Design		材料: Material: Steel		
		校核 Check		图纸编号: Drawing No: 72CQ046		
		审核 Approve		图纸编号: Drawing No: 72CQ046		
		KONNEX		图纸编号: Drawing No: 72CQ046	页码 Page 1	版本 Rev A4
变更 ECN	序号 No	更改内容 Content of Change	日期 Date	更改人 Name	出处图纸编号: Original Drawing	替代图号: Replaces
						替代批准: Replaced by