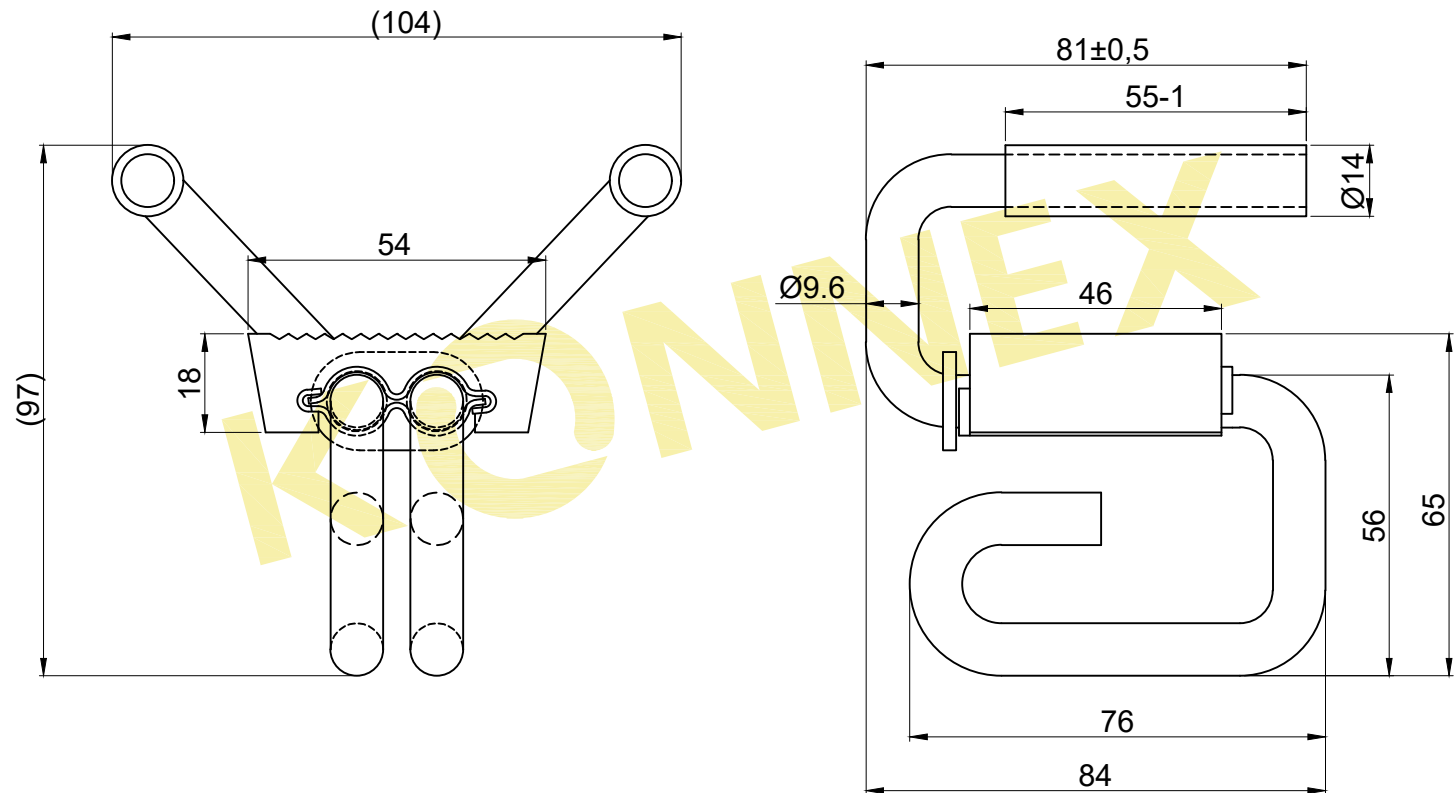


Stamping:

Logo M/YY

1. "Logo" ○
2. "M" Month code
 - A - January
 - B - February
 - C - March
 - D - April
 - E - May
 - F - June
 - G - July
 - H - August
 - I - September
 - K - October
 - L - November
 - M - December
3. "YY" Year code



Technical requirements:

1. No cracking pitting rust spot and scratch
2. Tested according: EN ISO 9227 NSS

Product Code: 72CQ040		Surface Requirement: Zinc plating	Tolerance: ---	Projection: 	Scale: ---	Weight: ---g
		Date 2015.04.08	Name QWZ	Material: Steel		
		Design	Part Name: Bordwandklammer 50mm Panel clip 50mm			
		Check	Drawing No: 72CQ040			
		Approve	Page 1 Rev Format A4			
ECN	No	Content of Change	Date	Name	Original Drawing: ---	Replaces: --- Replaced by: ---