

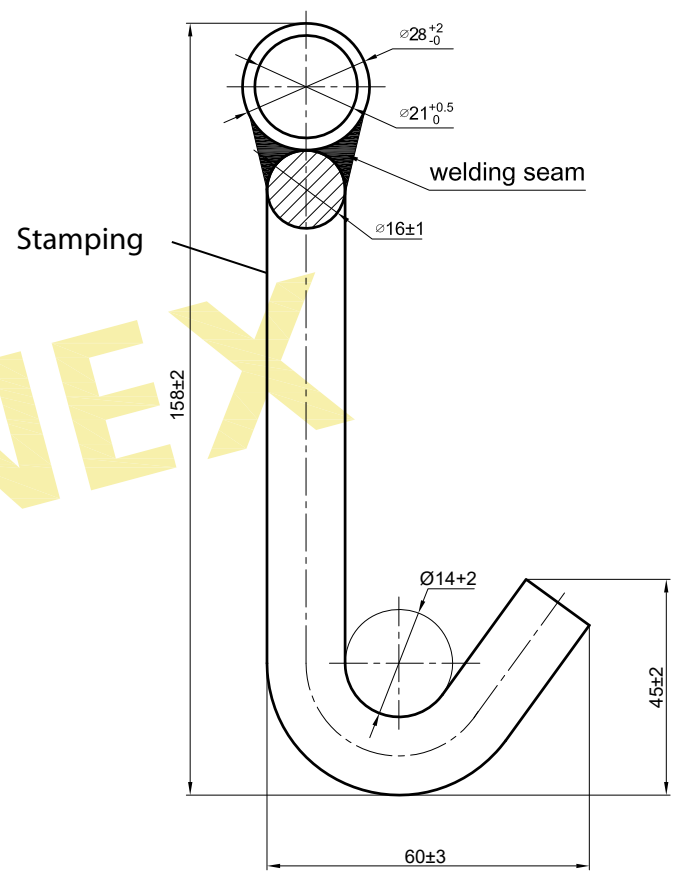
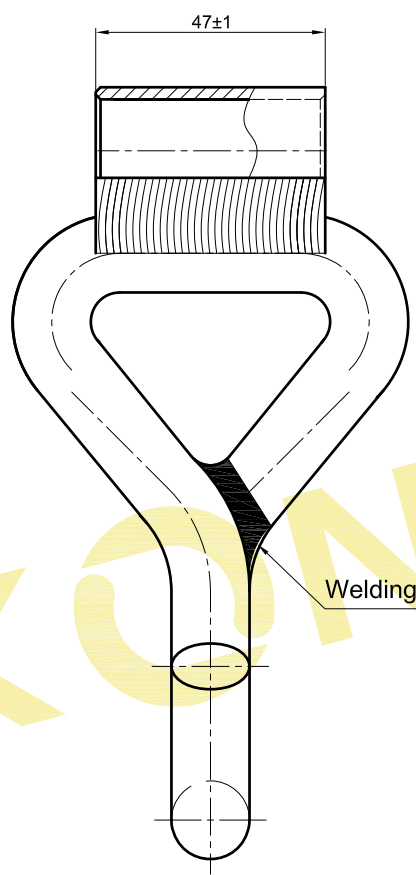
The reproduction, distribution and utilization of this document as well as the communication of its contents to others without express authorization is prohibited. Offenders will be held liable for the payment of damages. All rights reserved in the event of the grant of a patent, utility model or design. Technical modifications reserved.

Weitergabe sowie Vervielfältigung dieses Dokuments, Verwertung und Mitteilung seines Inhalts sind verboten, soweit nicht ausdrücklich gestattet. Zuwiderhandlungen verpflichten zu Schadenersatz. Alle Rechte für den Fall der Patent-, Gebrauchsmuster- oder Designeintragung vorbehalten. Technische Änderungen bleiben vorbehalten.

Stamping:

Logo LC 25kN SC/M/YY

1. "Logo" ○
2. "LC" load capacity
3. "SC" Supplier code
4. "M" Month code
 - A - January
 - B - February
 - C - March
 - D - April
 - E - May
 - F - June
 - G - July
 - H - August
 - I - September
 - K - October
 - L - November
 - M - December
5. "YY" Year code



Technical requirements:

1. Breaking strength (BS): 50 kN
2. No cracking pitting rust spot and scratch
3. Tested according: EN ISO 9227 NSS
4. Tested according: DIN EN 12195-2

产品编号: Product Code: 72CQ012		表面要求: Surface Requirement: Zinc Plating		公差等级: Tolerance: ISO2768-V		视图: Projection: 第一角投影		比例: Scale: 2:3		重量: Weight: ---	
								材料: Material: Steel			
				日期 / Date		姓名 / Name		产品名称: Part Name:			
				17.12.06		XPW		Spitzhaken 50mm - 50kN J-hook 50mm - 50kN			
								图纸编号: Drawing No: 72CQ012		页码 Page	
						KONNEX CO.,LTD				版本 Rev	
										格式 Format	
										1 A4	
变更 ECN		序号 No		更改内容 Content of Change		日期 Date		更改人 Name		原始图编号: Original Drawing: ---	
										替代图号: Replaces: ---	
										替代批准: Replaced by: ---	