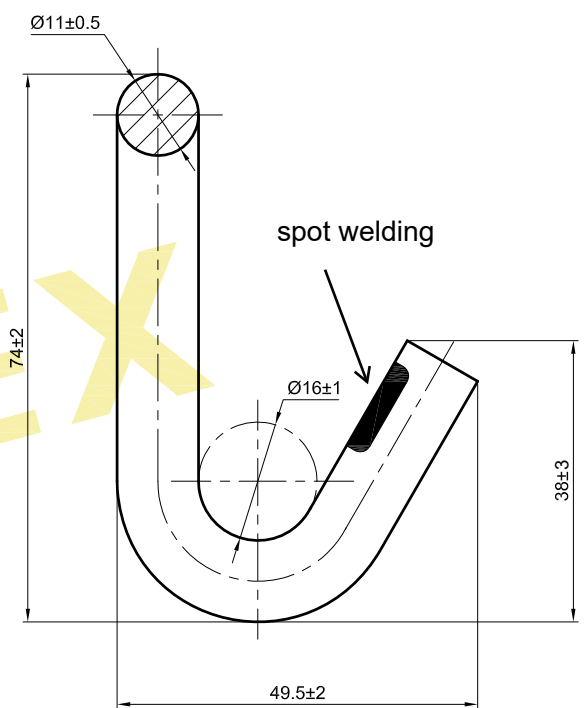
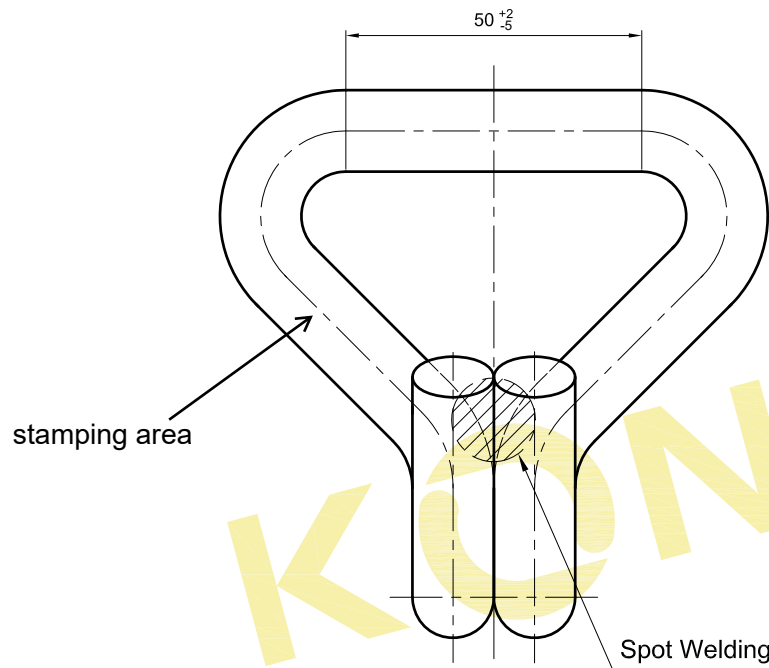


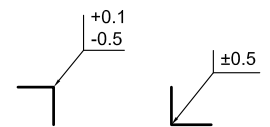
Stamping:

Logo LC 25kN SC/M/YY

1. "Logo" ○
2. "LC" load capacity
3. "SC" Supplier code
4. "M" Month code
 - A - January
 - B - February
 - C - March
 - D - April
 - E - May
 - F - June
 - G - July
 - H - August
 - I - September
 - K - October
 - L - November
 - M - December
5. "YY" Year code



KONNEX



Technical requirements:

1. Breaking strength: 50kN
2. No cracking pitting rust spot and scratch
3. No welding slag on the surface the welding spot should not be too large nor sting
4. Test standards in accordance with EN12195-2

产品编号: Product Code: 72CQ003		表面要求: Surface Requirement: Zinc plating	公差等级: Tolerance: ---	视图: Projection: 	比例: Scale: ---	重量: Weight: ---g
				材料: Material: Steel		
		日期 / Date 2015.04.08		姓名 / Name QWZ		
		制作 Design		产品名称: Part Name: Spitzhaken 50mm - 50kN J-Hook 50mm - 50kN		
		校核 Check				
		审核 Approve				
		KONNEX		图纸编号: Drawing No: 72CQ003		
变更 ECN	序号 No	更改内容 Content of Change	日期 Date	更改人 Name	出处图纸编号: Original Drawing: ---	替代图号: Replaces: ---
						替代批准: Replaced by: ---
						页码 Page: 1
						版本 Rev: ---
						格式 Format: A4