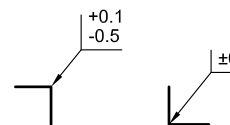
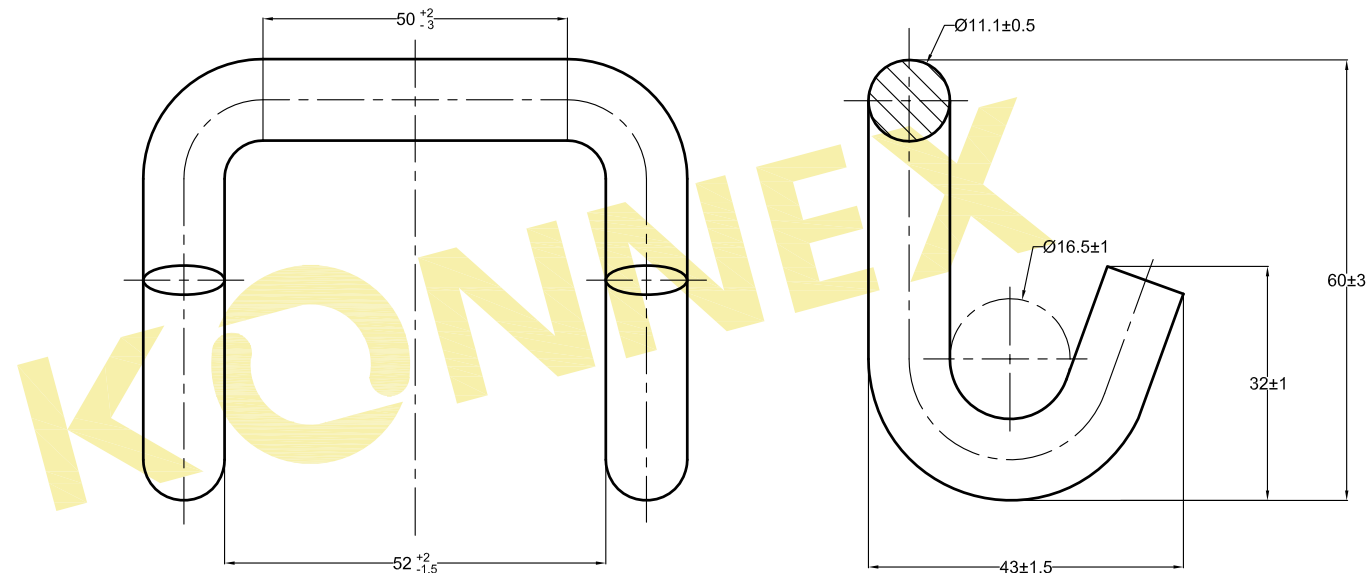


Stamping :  
Logo LC 25kN SC/M/YY

1. " Logo " 
2. " LC " Load capacity
3. " SC " Supplier code
4. " M " Month code
  - A - January
  - B - February
  - C - March
  - D - April
  - E - May
  - F - June
  - G - July
  - H - August
  - I - September
  - K - October
  - L - November
  - M - December
5. " YY " Year code



**Technical requirements:**

1. Breaking strength (BS): 50 kN
2. Tested according: EN ISO 9227 NSS
3. Tested according: DIN EN 12195-2

产品编号: Product Code: <b>72CQ002</b>		表面要求: Surface Requirement: <b>Zinc plated</b>	公差等级: Tolerance: <b>ISO 2768-V</b>	视图: Projection: 	比例: Scale: 1:1	重量: Weight: -- g
				材料: Material: <b>Steel</b>		
		日期 / Date 2013.03.23		姓名 / Name YHZ		产品名称: Part Name: <b>Clawhaken 50mm - 50kN Claw hook 50mm - 50kN</b>
						图纸编号: Drawing No: <b>72CQ002</b>
				<b>KONNEX CO.,LTD</b>		页码 Page: 1
						版本 Rev: A4
变更 ECN	序号 No	更改内容 Content of Change	日期 Date	更改人 Name	由原图纸编号: Original Drawing No: ----	替代图号: Replaces: ----
					替代批准: Replaced by: ----	