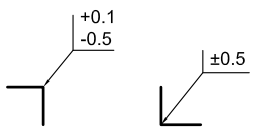
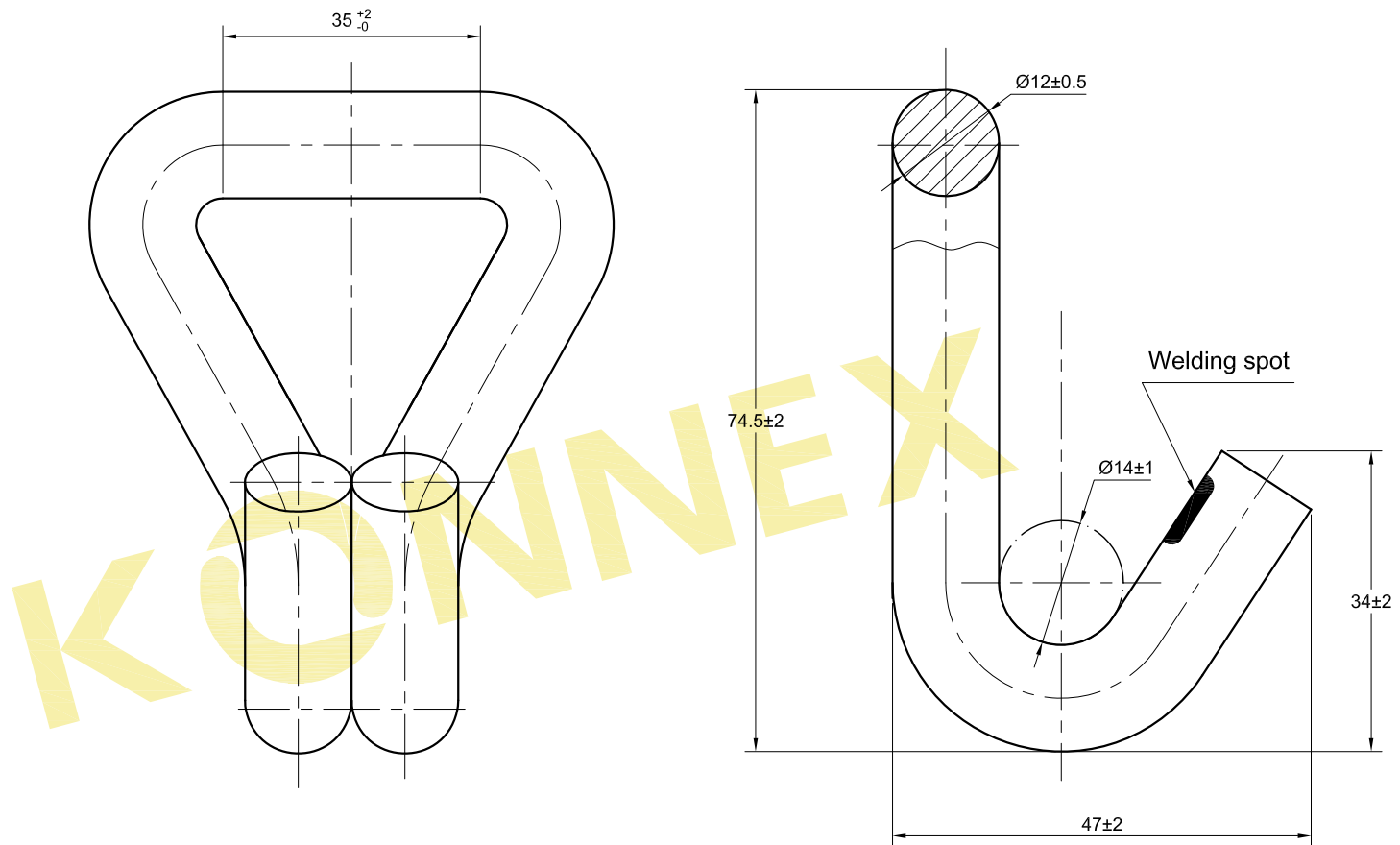


Stamping:

Logo LC 15kN SC/M/YY

1. "Logo" ○
2. "LC" load capacity
3. "SC" Supplier code
4. "M" Month code
 - A - January
 - B - February
 - C - March
 - D - April
 - E - May
 - F - June
 - G - July
 - H - August
 - I - September
 - K - October
 - L - November
 - M - December
5. "YY" Year code



Technical requirements:

1. Breaking strength (BS): 30 kN
2. No cracking pitting rust spot and scratch
3. Tested according: EN ISO 9227 NSS
4. Tested according: DIN EN 12195-2

| | | | | | | |
|---------------------------------|----|----------------------|-------------------|--|-----------------------|------------------------|
| Product Code: 72BX030 | | Surface Requirement: | Tolerance: --- | Projection: | Scale: --- | Weight: ---g |
| | | | | | Material: St Steel | |
| | | Date | Name | Part Name: | | |
| | | 2015.04.08 | QWZ | Spitzhaken 35mm - 30kN J-Hook 35mm - 30kN | | |
| | | Check | | | | |
| | | Approve | | | | |
| KONNEX | | | | Drawing No: | 72BX030 | |
| ECN | No | Content of Change | Date | Name | Original Drawing: --- | Replaces: --- |
| | | | | | | Replaced by: --- |
| | | | | | | Page 1 Rev 1 Format A4 |