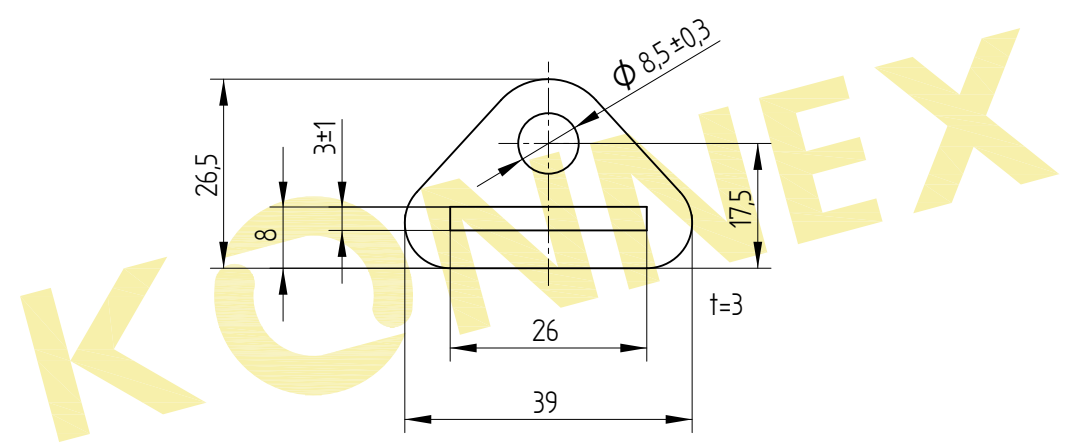


**Stamping:**

Logo LC 3kN SC/M/YY

1. "Logo" ○
2. "LC" load capacity
3. "SC" Supplier code
4. "M" Month code
  - A - January
  - B - February
  - C - March
  - D - April
  - E - May
  - F - June
  - G - July
  - H - August
  - I - September
  - K - October
  - L - November
  - M - December
5. "YY" Year code



**Technical requirements:**

1. Breaking strength (BS): 6 kN
2. No cracking pitting rust spot and scratch
3. Tested according: EN ISO 9227 NSS
4. Tested according: DIN EN 12195-2

|                           |    |                                     |                   |  |                       |                                   |
|---------------------------|----|-------------------------------------|-------------------|--|-----------------------|-----------------------------------|
| Product Code:<br>72ASQ022 |    | Surface Requirement:<br>black (KTL) | Tolerance:<br>--- | Projection:<br>  | Scale: ---            | Weight: ---g                      |
|                           |    |                                     |                   |  | Material: Steel       |                                   |
|                           |    | Date<br>2015.04.08                  | Name<br>QWZ       | Part Name:<br>Umlenkbeschlag 25mm - 6kN<br>Buckle 25mm - 6kN |                       |                                   |
|                           |    | Design                              |                   |  |                       |                                   |
|                           |    | Check                               |                   |  |                       |                                   |
|                           |    | Approve                             |                   |  |                       |                                   |
| <b>KONNEX</b>             |    |                                     |                   | Drawing No:<br>72ASQ022                                      | Page<br>1             | Rev<br>A4                         |
| ECN                       | No | Content of Change                   | Date              | Name   | Original Drawing: --- | Replaces: ---<br>Replaced by: --- |