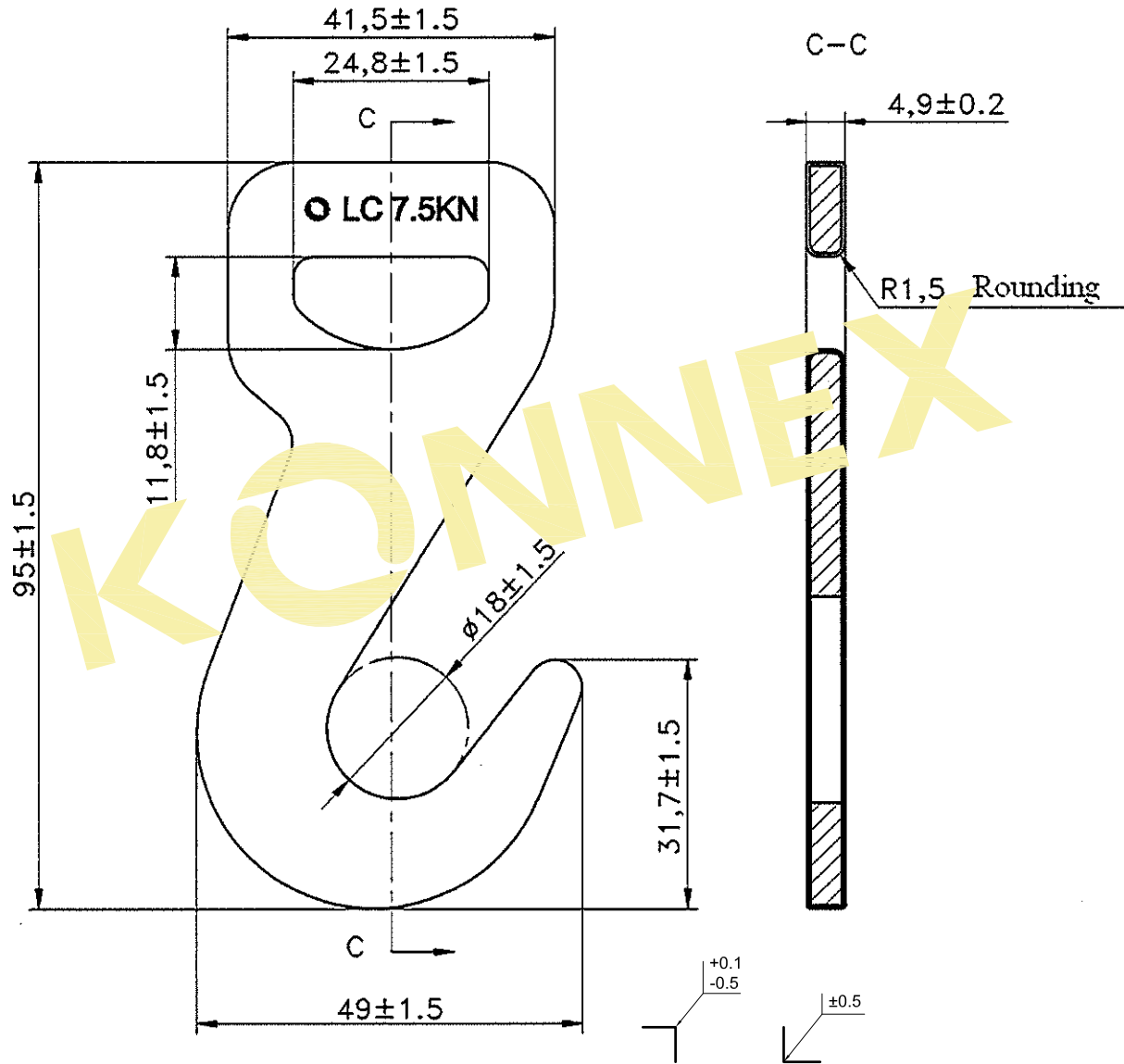


**Stamping:**

Logo LC 7,5 kN SC/M/YY

1. "Logo" ○
2. "LC" load capacity
3. "SC" Supplier code
4. "M" Month code
  - A - January
  - B - February
  - C - March
  - D - April
  - E - May
  - F - June
  - G - July
  - H - August
  - I - September
  - K - October
  - L - November
  - M - December
5. "YY" Year code



**Technical requirements:**

1. Breaking strength (BS): 15 kN
2. No cracking pitting rust spot and scratch
3. Tested according: EN ISO 9227 NSS
4. Tested according: DIN EN 12195-2

产品编号: Product Code: <b>72ASQ006</b>		表面要求: Surface Requirement: <b>plastic-coated black</b>	公差等级: Tolerance: ---	视图: Projection: ☐	比例: Scale: 3:2	重量: Weight: ---
		材料: Material: Steel	产品名称: Part Name: <b>Flachhaken 25mm - 15kN Flat hook 25mm - 15kN</b>			
		日期 / Date 14.04.23	姓名 / Name XPW	图纸编号: Drawing No: <b>72ASQ006</b>		
		KONNEX CO.,LTD			页码 Page 1	版本 Rev
					格式 Format A4	
变更 ECN	序号 No	更改内容 Content of Change	日期 Date	更改人 Name	由图纸编号: Original Drawing:	替代图号: Replaces:
					---	---
					替代批准: Replaced by:	---