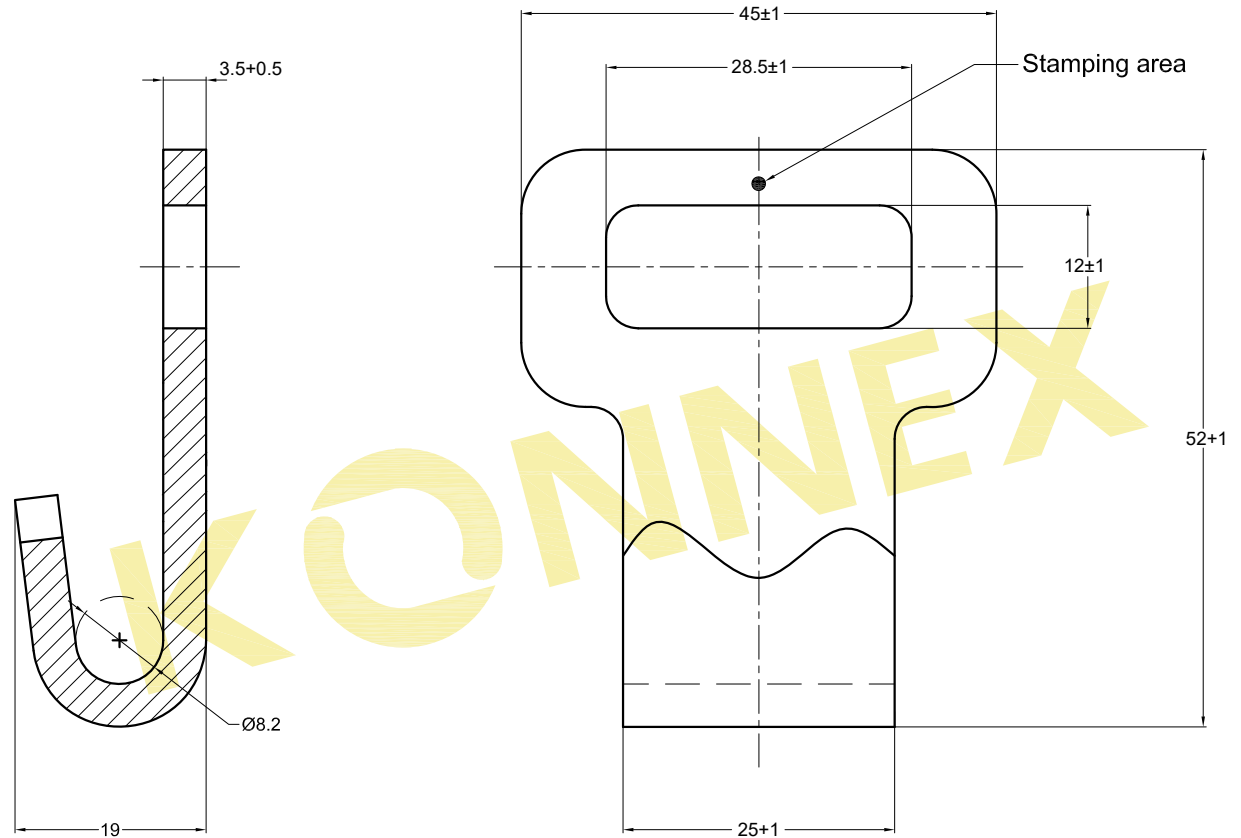


Stamping :


Logo LC 7.5kN SC/M/YY

1. " Logo " 
2. " LC " Load capacity
3. " SC " Supplier code
4. " M " Month code
  - A - January
  - B - February
  - C - March
  - D - April
  - E - May
  - F - June
  - G - July
  - H - August
  - I - September
  - K - October
  - L - November
  - M - December
5. " YY " Year code



Technical requirements:

1. Breaking strength (BS): 15 kN
2. Tested according: EN ISO 9227 NSS
3. Tested according: DIN EN 12195-2

产品编号: Product Code: <b>72AQ012</b>		表面要求: Surface Requirement: <b>Zinc plating</b>	公差等级: Tolerance: <b>---</b>	视图: Projection: 	比例: Scale: <b>---</b>	重量: Weight: <b>---g</b>
				材料: Material: <b>Steel</b>		
		日期 / Date 2015.04.08	姓名 / Name QWZ	产品名称: Part Name: <b>Flachhaken 25mm - 15kN Flat hook 25mm - 15kN</b>		
				图纸编号: Drawing No: <b>72AQ012</b>		
		<b>KONNEX</b>		页码 Page 1	版本 Rev	格式 Format A4
变更 ECN	序号 No	更改内容 Content of Change	日期 Date	更改人 Name	出处图纸编号: Original Drawing	替代图号: Replaces
				替代批准: Replaced by		