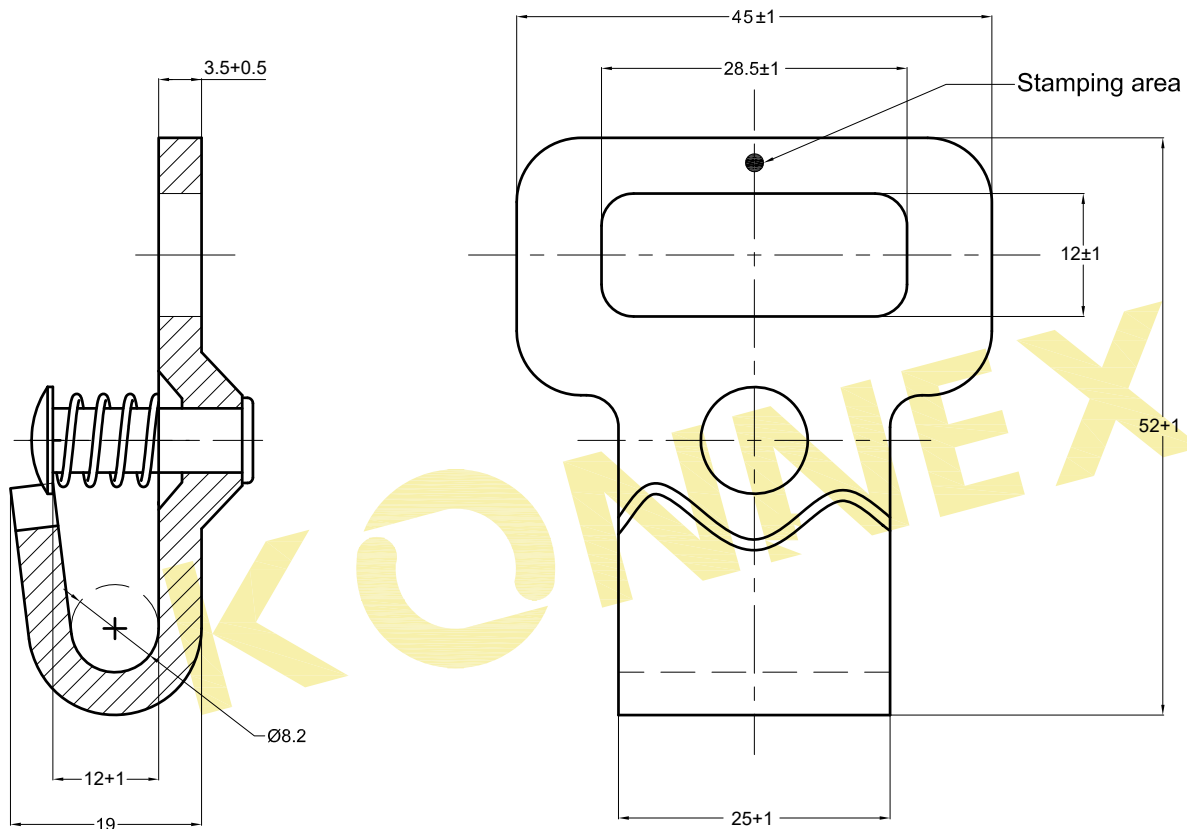


Stamping:

Logo LC 7,5kN SC/M/YY

1. "Logo" ○
2. "LC" load capacity
3. "SC" Supplier code
4. "M" Month code
 - A - January
 - B - February
 - C - March
 - D - April
 - E - May
 - F - June
 - G - July
 - H - August
 - I - September
 - K - October
 - L - November
 - M - December
5. "YY" Year code



Technical requirements:

1. Breaking strength (BS): 15 kN
2. Tested according: EN ISO 9227 NSS
3. Tested according: DIN EN 12195-2

产品编号: Product Code: 72AQ011		表面要求: Surface Requirement: Zinc Plating	公差等级: Tolerance: ---	视图: Projection: 	比例: Scale: 3:2	重量: Weight: ---
				材料: Material: Steel		
		日期 / Date	姓名 / Name	产品名称: Part Name:		
		制作 Design	13.04.26	XPW		
		检查 Check				
		审批 Approve				
				KONNEX CO.,LTD		
				图纸编号: Drawing No: 72AQ011		
变更 EON	序号 No	更改内容 Content of Change	日期 Date	更改人 Name	出发图纸编号: Original Drawing: ---	替代图号: Replaces: ---
					替代批准: Replaced by: ---	页码 Page: 1
					格式 Format: A4	版本 Rev: ---