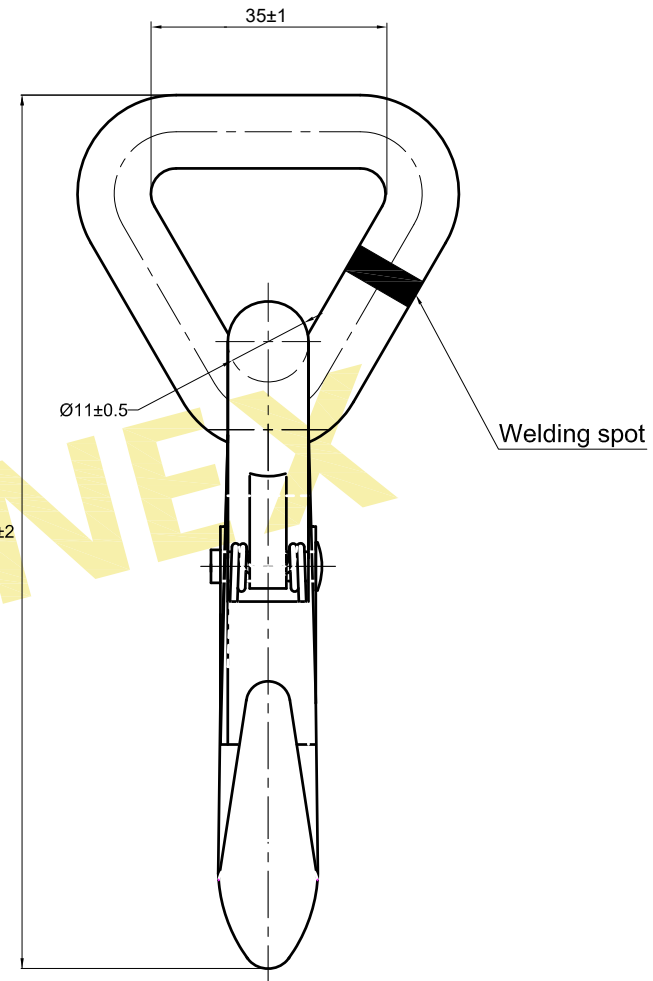
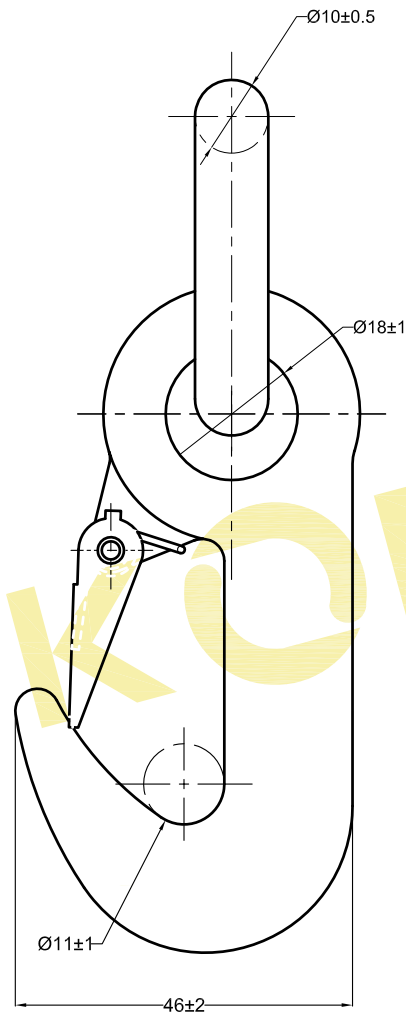


**Stamping:**

Logo LC 12.5kN SC/M/YY

1. "Logo" ○
2. "LC" load capacity
3. "SC" Supplier code
4. "M" Month code
  - A - January
  - B - February
  - C - March
  - D - April
  - E - May
  - F - June
  - G - July
  - H - August
  - I - September
  - K - October
  - L - November
  - M - December
5. "YY" Year code



**Technical requirements:**

1. Breaking strength (BS): 25 kN
2. No cracking pitting rust spot and scratch
3. Tested according: EN ISO 9227 NSS
4. Tested according: DIN EN 12195-2

Product Code: <b>72AQ008</b>		Surface Requirement: Zinc plating	Tolerance: ---	Projection: 	Scale: ---	Weight: ---g
					Material: Steel	
		Date	Name	Part Name:		
		2015.04.08	QWZ	Triangel Karabinerhaken 25mm - 25kN		
		Check		Load hook 25mm - 25kN		
		Approve		Drawing No:		
				72AQ008		
				Page	Rev	Format
				1		A4
ECN	No	Content of Change	Date	Name	Original Drawing: ---	Replaces: ---
					Replaced by: ---	