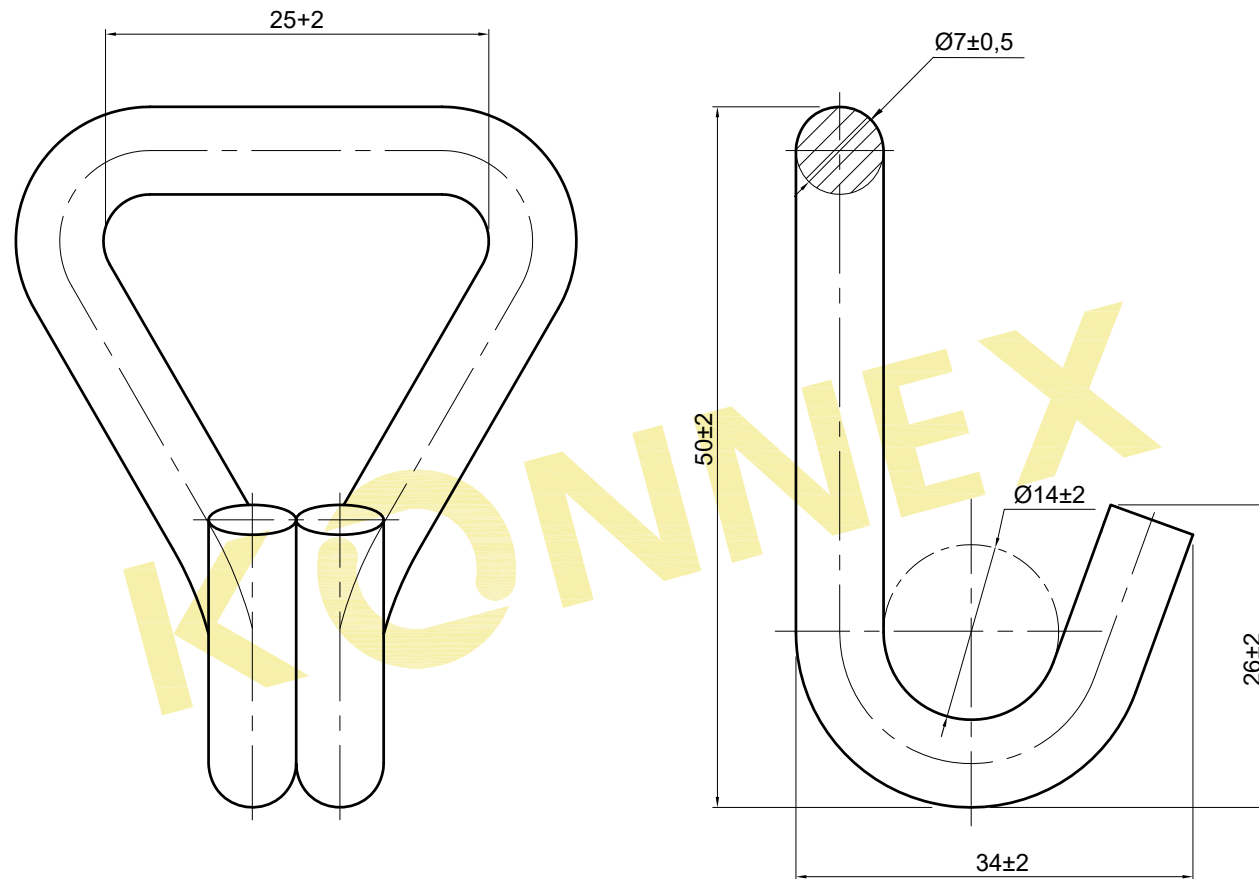


**Stamping:**

Logo LC 7.5 kN SC/M/YY

1. "Logo" ○
2. "LC" load capacity
3. "SC" Supplier code
4. "M" Month code
  - A - January
  - B - February
  - C - March
  - D - April
  - E - May
  - F - June
  - G - July
  - H - August
  - I - September
  - K - October
  - L - November
  - M - December
5. "YY" Year code



**Technical requirements:**

1. Breaking strength (BS): 15 kN
2. No cracking pitting rust spot and scratch
3. Tested according: EN ISO 9227 NSS
4. Tested according: DIN EN 12195-2

Product Code:		Surface Requirement:		Tolerance:		Projection:		Scale: ---		Weight: ---g	
72AQ001		Zinc plating		---				Material: Steel			
		Date		Name		Part Name:					
		2015.04.08		QWZ		Spitzhaken 25mm - 15kN J-Hook 25mm - 15kN					
		Design									
		Check									
		Approve				Drawing No:					
						72AQ001					
										Page	
										1	
										Rev	
										A4	
ECN		No		Content of Change		Date		Name		Original Drawing: ---	
										Replaces: ---	
										Replaced by: ---	