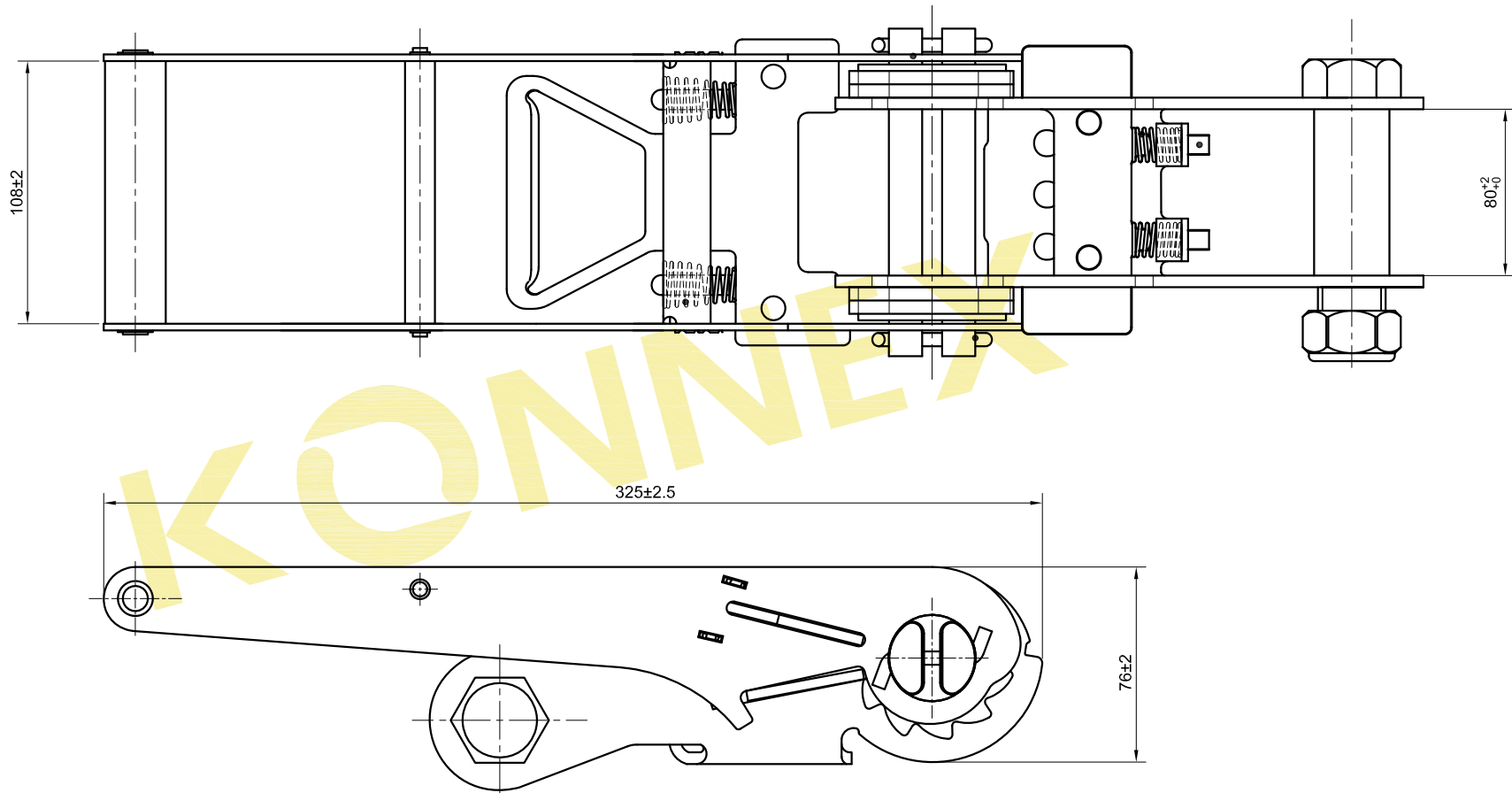


**Stamping:**

Logo LC 35kN SC/M/YY

1. "Logo" ○
2. "LC" load capacity
3. "SC" Supplier code
4. "M" Month code
  - A - January
  - B - February
  - C - March
  - D - April
  - E - May
  - F - June
  - G - July
  - H - August
  - I - September
  - K - October
  - L - November
  - M - December
5. "YY" Year code



**Technical requirements:**

1. Breaking strength (BS): 70 kN
2. No cracking pitting rust spot and scratch
3. Tested according: EN ISO 9227 NSS
4. Tested according: DIN EN 12195-2

Product Code: 71DX500		Surface Requirement:	Tolerance: ---	Projection: 	Scale: ---	Weight: ---g						
					Material: Steel							
		Date	Name	Part Name:								
		2015.04.08	QWZ	Druckratsche 100mm - 70kN								
		Check		Pressure ratchet 100mm - 70kN								
		Approve		Drawing No:								
				71DX500								
				<table border="1"> <tr> <td>Page</td> <td>Rev</td> <td>Format</td> </tr> <tr> <td>1</td> <td></td> <td>A4</td> </tr> </table>			Page	Rev	Format	1		A4
Page	Rev	Format										
1		A4										
ECN	No	Content of Change	Date	Name	Original Drawing: ---	Replaces: ---						
						Replaced by: ---						

