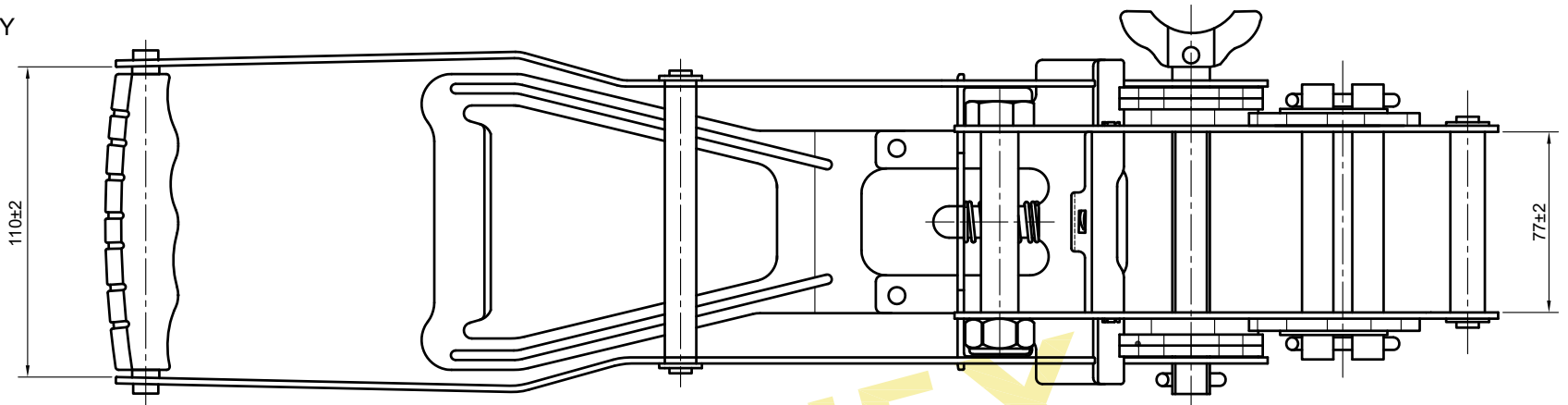


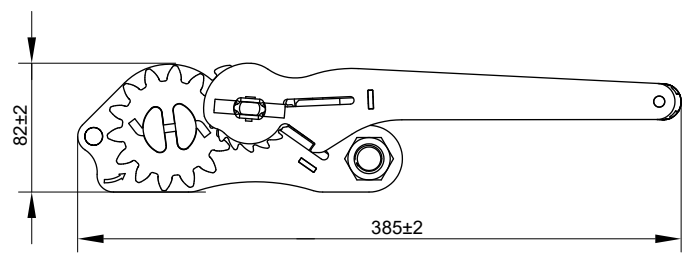
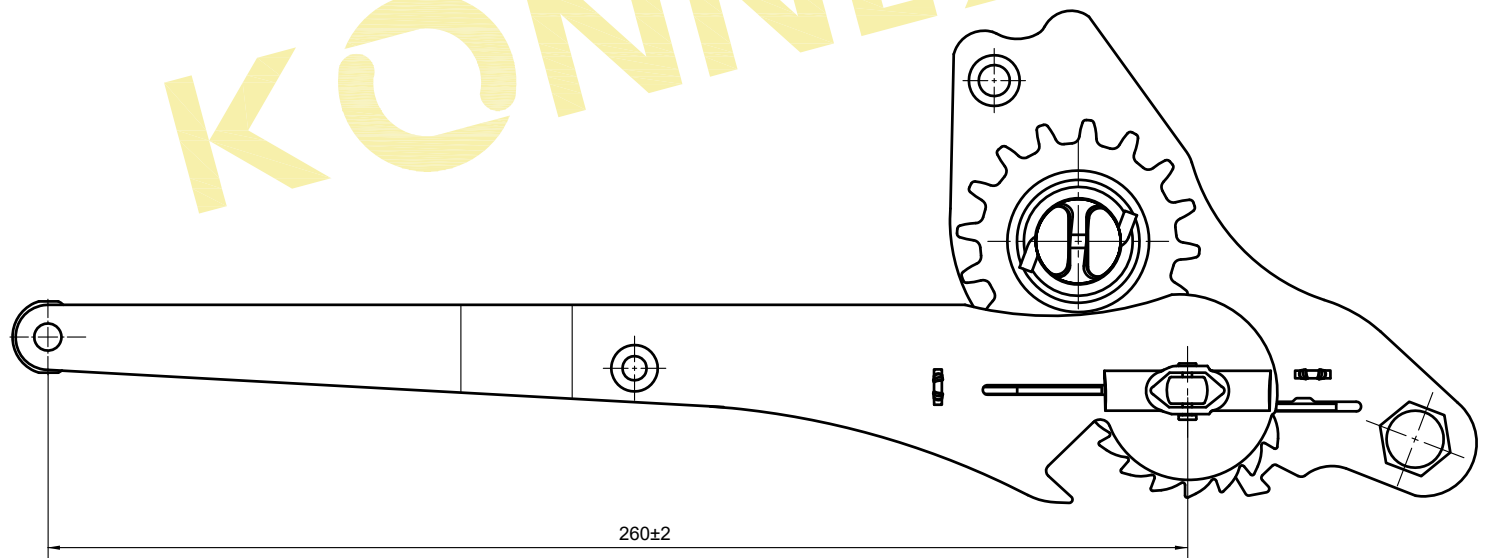
Stamping:

Logo LC 50 kN SC/M/YY

1. "Logo" 
2. "LC" load capacity
3. "SC" Supplier code
4. "M" Month code
 - A - January
 - B - February
 - C - March
 - D - April
 - E - May
 - F - June
 - G - July
 - H - August
 - I - September
 - K - October
 - L - November
 - M - December
5. "YY" Year code

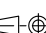


KONNEX



Technical requirements:

1. Breaking strength (BS): 100 kN
2. Tested according: EN ISO 9227 NSS
3. Tested according: DIN EN 12195-2

Product Code: 71DQ064		Surface Requirement: Zinc plating	Tolerance: ---	Projection: 	Scale: ---	Weight: ---g
		Date: 2015.04.08	Name: QWZ	Material: Steel		
		Design	Part Name: Zugratsche m. Getriebe 75mm - 100kN Pull ratschet 75mm - 100kN			
		Check	KONNEX			
		Approve				
		Drawing No: 71DQ064		Page: 1	Rev:	Format: A4
ECN	No	Content of Change	Date	Name	Original Drawing: ---	Replaces: --- Replaced by: ---