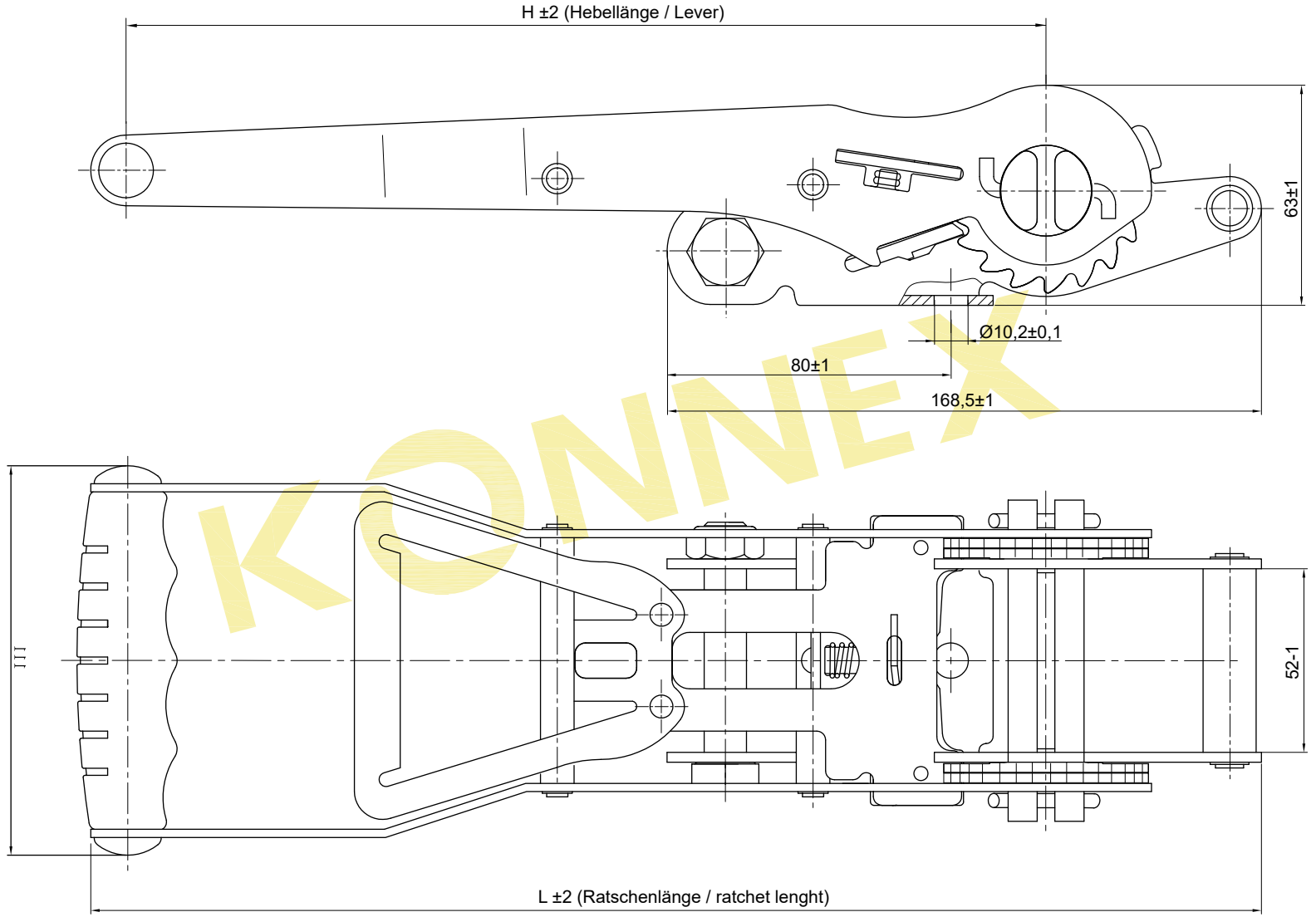


Stamping:

Logo LC 25kN SC/M/YY

1. "Logo" ○
2. "LC" load capacity
3. "SC" Supplier code
4. "M" Month code
 - A - January
 - B - February
 - C - March
 - D - April
 - E - May
 - F - June
 - G - July
 - H - August
 - I - September
 - K - October
 - L - November
 - M - December
5. "YY" Year code



Technical requirements:

1. Breaking strength (BS): 50 kN
2. Tested according: EN ISO 9227 NSS
3. Tested according: DIN EN 12195-2

	H	L
71CQ060	260	332
71CQ067	300	368
71CQ068	340	408

Product Code: 71CQ060 / 71CQ067 71CQ068		Surface Requirement: Zinc plating	Tolerance: ---	Projection: 	Scale: ---	Weight: ---g
		Date 2015.04.08	Name QWZ	Material: Steel		
		Design	Part Name: Zugratsche 50mm - 50kN (ERGO) Pull ratchet 50mm - 50kN			
		Check	Drawing No: 71CQ06xx			
		Approve				
ECN	No	Content of Change	Date	Name	Original Drawing: ---	Replaces: ---
					Page 1	Rev A4
					Replaced by: ---	