


**Stamping:**

Logo LC 25kN SC/M/YY

1. "Logo" 

2. "LC" load capacity

3. "SC" Supplier code

4. "M" Month code

A - January

B - February

C - March

D - April

E - May

F - June

G - July

H - August

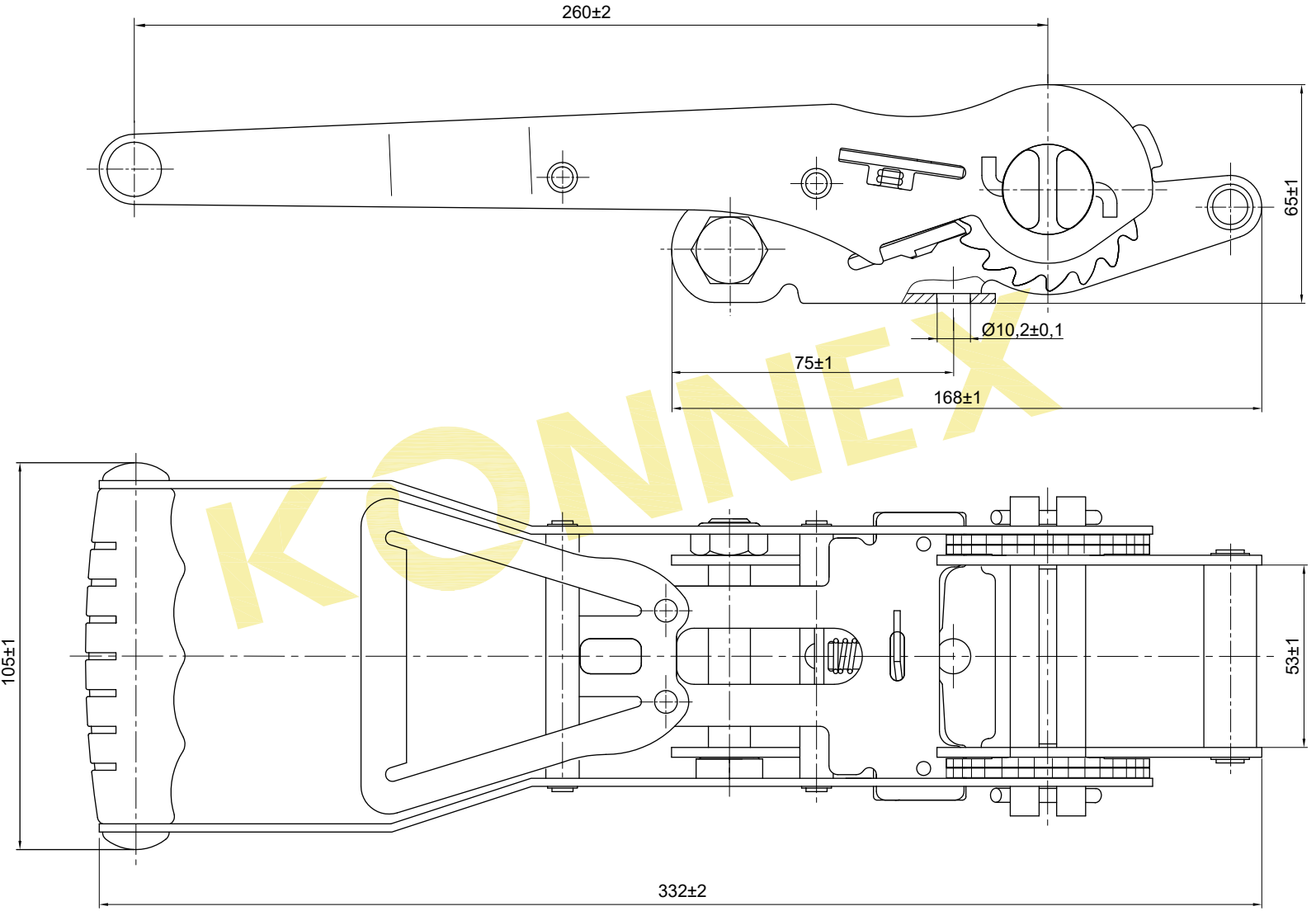
I - September

K - October

L - November

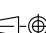
M - December

5. "YY" Year code



**Technical requirements:**

1. Breaking strength (BS): 50 kN
2. Tested according: EN ISO 9227 NSS
3. Tested according: DIN EN 12195-2

Product Code: 71CQ062		Surface Requirement: Zinc plating	Tolerance: ---	Projection: 	Scale: ---	Weight: ---g
		Date	Name	Material: Steel		
		Design	2015.04.08	Part Name: Zugratsche 50mm - 50kN (ERGO) Pull ratchet 50mm - 50kN		
		Check		Drawing No: 71CQ062		
		Approve		Page: 1, Rev: , Format: A4		
		ECN No Content of Change Date Name		Original Drawing: ---		Replaces: --- Replaced by: ---