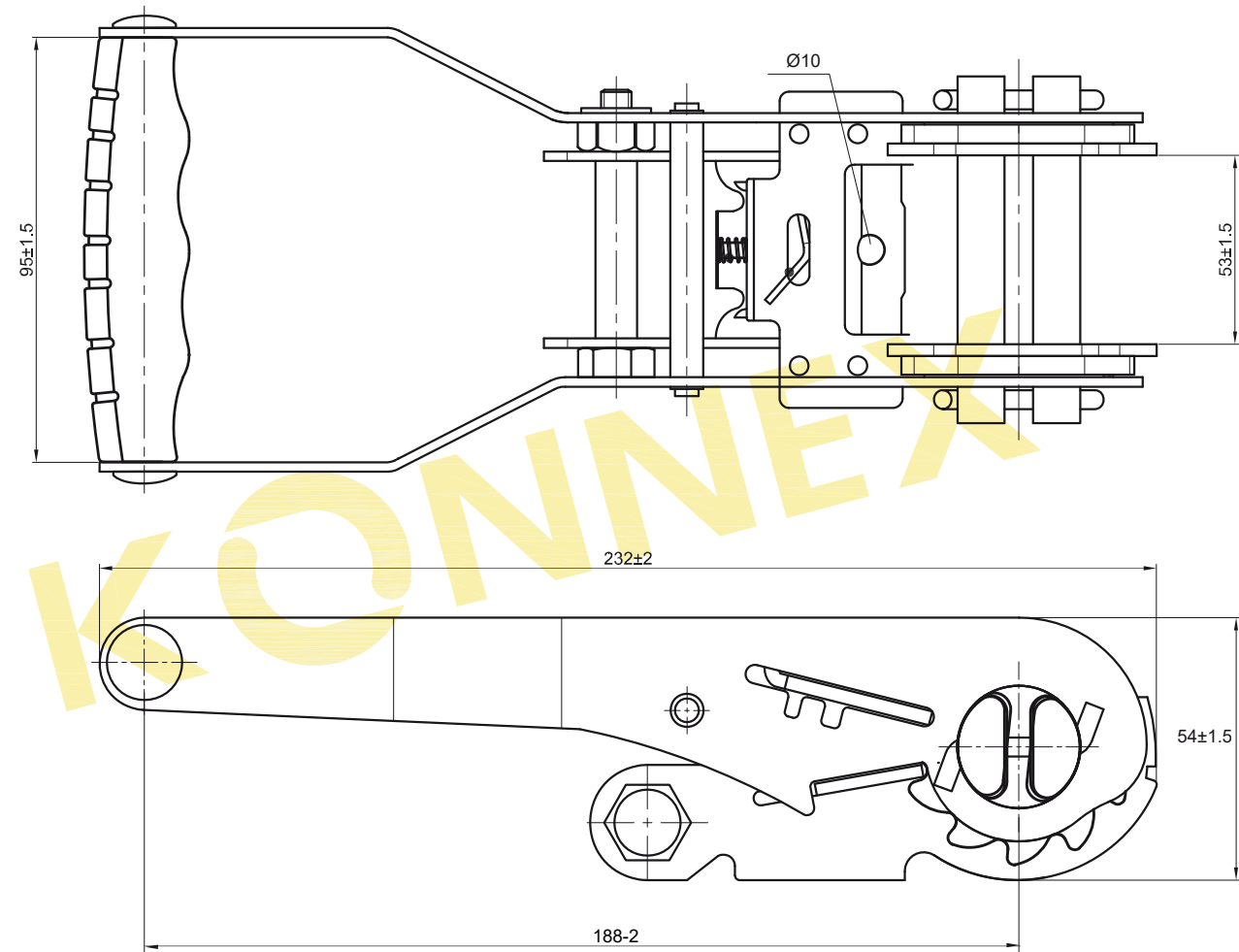


Stamping:

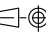
Logo LC 25kN SC/M/YY

1. "Logo" 
2. "LC" load capacity
3. "SC" Supplier code
4. "M" Month code
 - A - January
 - B - February
 - C - March
 - D - April
 - E - May
 - F - June
 - G - July
 - H - August
 - I - September
 - K - October
 - L - November
 - M - December
5. "YY" Year code



Technical requirements:

1. Breaking strength (BS): 50 kN
2. Tested according: EN ISO 9227 NSS
3. Tested according: DIN EN 12195-2

| | | | | | | |
|-------------------------------------|----|--------------------------------------|-------------------|--|------------------------|--------------|
| Product Code: 71CQ050 / 71CSQ050 | | Surface Requirement: Zinc plating | Tolerance: --- | Projection:  | Scale: --- | Weight: ---g |
| | | | | | Material: Steel | |
| | | Date 2015.04.08 | Name QWZ | Part Name: Druckratsche 50mm - 50kN Pressure ratchet 50mm - 50kN | | |
| | | Design | | Drawing No: 71CQ050 | | |
| | | Check | | | Page 1 | Rev A4 |
| | | Approve | | Replaces: --- | | |
| KONNEX | | | | Replaced by: --- | | |
| ECN | No | Content of Change | Date | Name | Original Drawing : --- | |