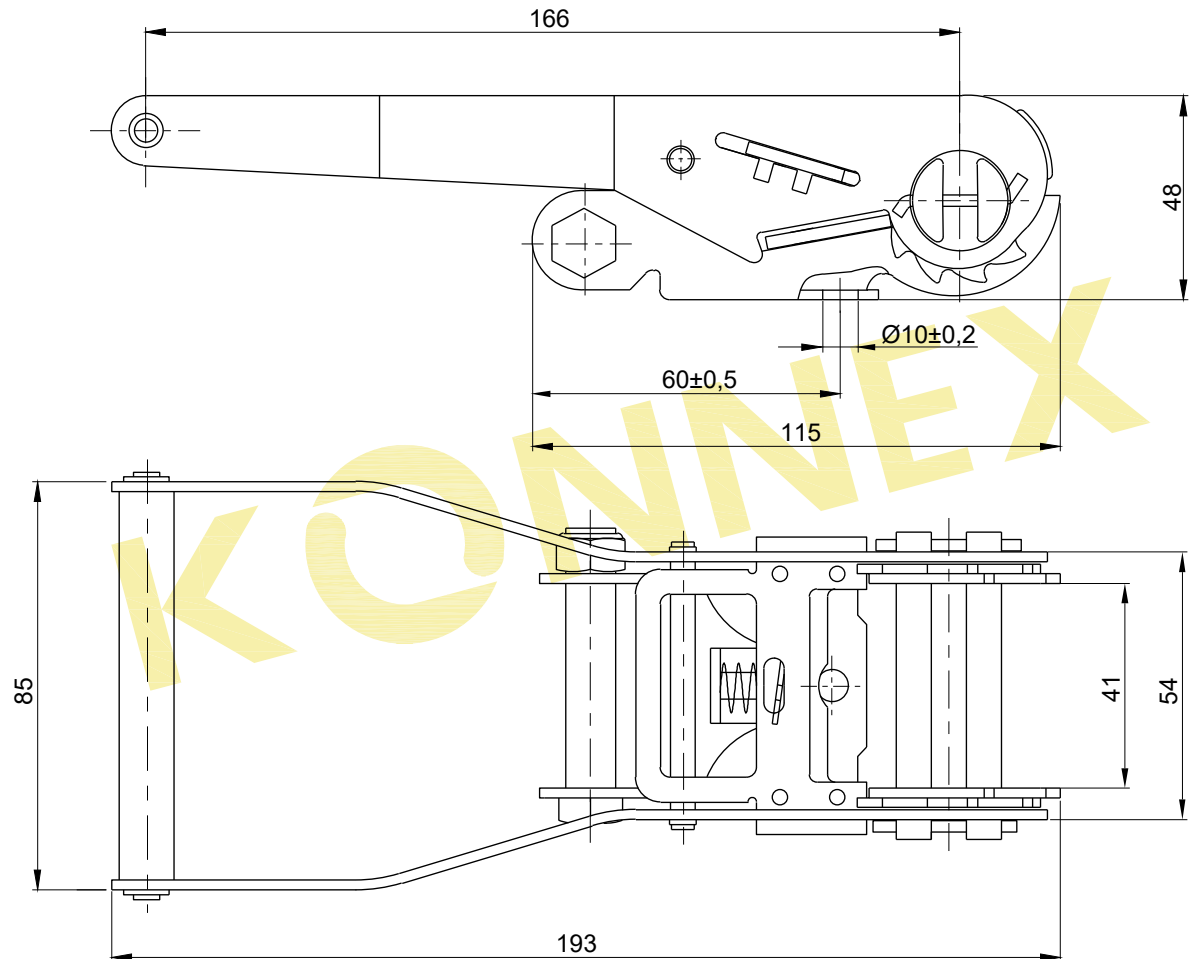


**Stamping:**

Logo LC 15 kN SC/M/YY

1. "Logo" ○
2. "LC" load capacity
3. "SC" Supplier code
4. "M" Month code
  - A - January
  - B - February
  - C - March
  - D - April
  - E - May
  - F - June
  - G - July
  - H - August
  - I - September
  - K - October
  - L - November
  - M - December
5. "YY" Year code



**Technical requirements:**

1. Breaking strength (BS): 30 kN
2. No cracking pitting rust spot and scratch
3. Tested according: EN ISO 9227 NSS
4. Tested according: DIN EN 12195-2

Product Code: 71BQ033		Surface Requirement: Zinc plating		Tolerance: ---		Projection: 		Scale: ---		Weight: ---g							
								Material: Steel									
				Date 2015.04.08		Name QWZ		Part Name: Druckratsche 35mm - 30kN Pressure Ratchet 35mm - 30kN									
				Check				Drawing No: 71BQ033									
				Approve													
ECN		No		Content of Change		Date		Name		Original Drawing: ---							
										Replaces: ---							
										Replaced by: ---							
										<table border="1"> <tr> <td>Page</td> <td>Rev</td> <td>Format</td> </tr> <tr> <td>1</td> <td></td> <td>A4</td> </tr> </table>		Page	Rev	Format	1		A4
Page	Rev	Format															
1		A4															