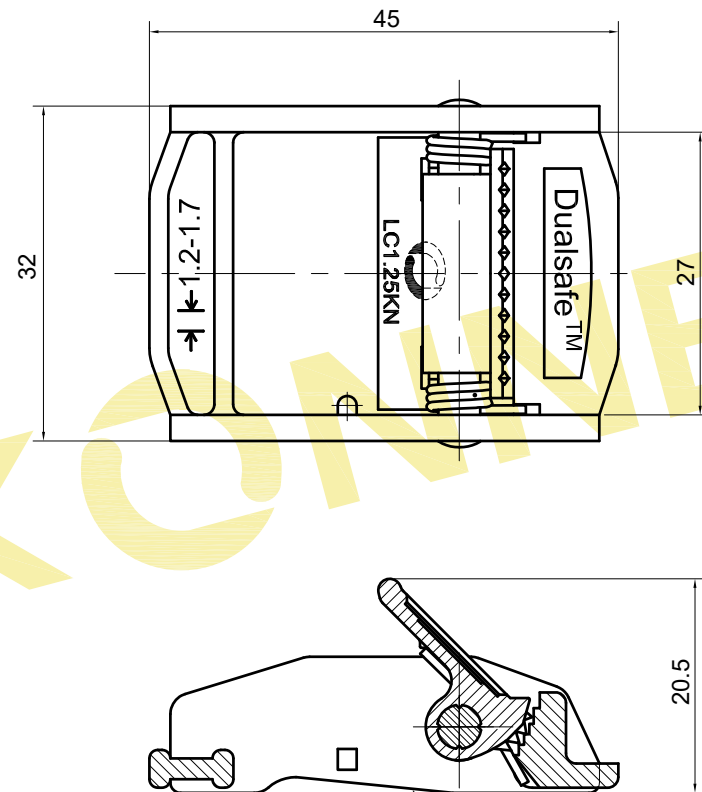


Stamping:

Logo LC 1,25kN SC/M/YY

1. "Logo" ○
2. "LC" load capacity



Technical requirements:

1. Breaking strength (BS): 2,5 kN
2. Tested according: DIN EN 12195-2

Product Code: 70AP025 / 70AS025 70AG025		Surface Requirement:	Tolerance: ---	Projection: 	Scale: ---	Weight: ---g
					Material: Z410	
		Date	Name	Part Name:		
		2015.04.08	QWZ	Klemmschloss 25mm - 2,5kN Cam buckle 25mm - 2,5kN		
				Drawing No:		
				70AP025		
				Page	Rev	Format
				1		A4
ECN	No	Content of Change	Date	Name	Original Drawing: ---	Replaces: --- Replaced by: ---

